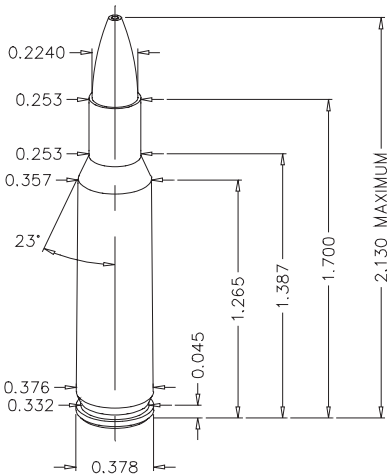


# 222 Remington



## Test Specifications/ Components

**Firearm Used:** Remington Model 700

**Barrel Length:** 26"

**Twist:** 1 x 14"

**Case:** Remington

**Trim-to Length:** 1.690"

**Primer:** Rem 7 1/2

## Remarks:

Remington introduced the 222 in 1950 in their Model 722 bolt-action rifle. The 222 was the first new cartridge to appear after WWII, and is an original case not based on an earlier existing head size. Designed by Remington's Mike Walker, a noted benchrest shooter, the 222 soon dominated the benchrest game. It maintained its superiority for two and a half decades, until the 22 and 6mm PPCs dethroned it. As is so often the case, the 222 produced its own "family" of offspring, including the 17 Remington, 221 Fireball, 223 Remington, and 222 Remington Magnum.

We have always found the 222 to be an extremely easy cartridge to load. Although it rarely shows a prejudice for any particular powder of the appropriate burning rate, IMR-4198, Reloder 7, and Accurate Arms 2015 BR are proven performers.

For varmint hunting, especially in settled areas, the 222 is best served by either the 50 or 55 grain Blitz bullets. Both sport a thin jacket, designed to expand readily at the 222s velocity levels. In most factory rifles, a 1x14" twist is standard. This twist normally gives best accuracy with bullets of 55 grains or less.

With the military adoption of the 223 Remington and the near total movement of benchrest crowds to the 6mm PPC, the "deuce" has lost much of its earlier support. It is still an extremely useful cartridge, and will no doubt see active use as a varmint cartridge for many years to come. At one time or another, the 222 has been chambered in a variety of action types by most arms manufacturers. The fact that it still remains a popular chambering in custom-built rifles is strong testimony to its effective field performance and superb accuracy.

With the military adoption of the 223 Remington and the near total movement of benchrest crowds to the 6mm PPC, the "deuce" has lost much of its earlier support. It is still an extremely useful cartridge, and will no doubt see active use as a varmint cartridge for many years to come. At one time or another, the 222 has been chambered in a variety of action types by most arms manufacturers. The fact that it still remains a popular chambering in custom-built rifles is strong testimony to its effective field performance and superb accuracy.

# 222 Remington continued

**#1200 .224" 40 gr. Hornet**  
C.O.A.L. 2.040"



**#1385 .224" 40 gr. HP**  
C.O.A.L. 2.125"



**#1440 .224" 40 gr. BlitzKing**  
C.O.A.L. 2.125"



Powder†/Velocity→	2900	3000	3100	3200	3300	3400
Viht N130	19.7	20.2	20.7	21.3	<b>21.8</b>	
IMR-4198	19.3	19.7	20.1	20.5	21.0	<b>21.5</b>
Viht N133	21.0	21.5	22.0	22.5	<b>23.1</b>	
RE-7		19.5	20.2	20.9	21.6	<b>22.3</b>
XMR-2015		22.0	22.6	23.1	23.7	<b>24.2</b>
IMR-3031	22.5	23.0	<b>23.5</b>			
AA-2230		22.1	22.9	23.7	<b>24.6</b>	
748		24.0	24.8	25.6	26.3	<b>27.0</b>
AA-2460			22.8	23.4	24.1	<b>24.7</b>
H335	23.5	<b>24.2</b>				
BL-C(2)	23.5	24.1	24.7	25.4	26.1	<b>26.8</b>
IMR-4895	23.4	24.2	<b>25.0</b>			
IMR-4320	24.4	25.2	<b>26.0</b>			
<b>Energy/ft.lbs.</b>	<b>747</b>	<b>799</b>	<b>859</b>	<b>909</b>	<b>967</b>	<b>1027</b>

	Powder	Grains	Velocity	Ft. lbs.
Accuracy Load	AA-2230	23.7	3200	909
Hunting Load	748	26.3	3300	967

**INDICATES MAXIMUM LOAD – USE CAUTION**  
**LOADS LESS THAN MINIMUM CHARGES SHOWN ARE NOT RECOMMENDED.**

## 222 Remington continued

**#1210 .224" 45 gr. Hornet**  
C.O.A.L. 2.040"



**#1310 .224" 45 gr. SPT**  
C.O.A.L. 2.125"



Powder†/Velocity→	2800	2900	3000	3100	3200	3300
Viht N130	18.9	19.6	20.2	20.9	<b>21.5</b>	
IMR-4198	18.9	19.3	19.7	20.1	20.5	<b>21.0</b>
Viht N133	20.7	21.3	21.9	22.5	<b>23.1</b>	
XMR-2015	21.0	21.6	22.2	22.8	23.5	<b>24.1</b>
RE-7	19.4	19.9	20.4	20.9	21.4	<b>21.9</b>
IMR-3031	21.7	22.3	22.9	<b>23.5</b>		
AA-2230		21.6	22.4	23.2	<b>23.9</b>	
748		23.4	24.3	25.2	26.1	<b>27.0</b>
BL-C(2)	22.5	23.3	24.1	24.9	25.7	<b>26.5</b>
IMR-4895	22.6	23.4	24.2	<b>25.0</b>		
AA-2520		22.6	23.3	23.9	24.6	<b>25.2</b>
IMR-4320	24.0	25.0	<b>26.0</b>			
<b>Energy/ft.lbs.</b>	<b>783</b>	<b>840</b>	<b>899</b>	<b>960</b>	<b>1023</b>	<b>1088</b>
	<b>Powder</b>	<b>Grains</b>	<b>Velocity</b>	<b>Ft. lbs.</b>		
Accuracy Load	BL-C(2)	25.7	3200	1023		
Hunting Load	748	26.1	3200	1023		

**INDICATES MAXIMUM LOAD – USE CAUTION**

**LOADS LESS THAN MINIMUM CHARGES SHOWN ARE NOT RECOMMENDED.**

# 222 Remington continued

**#1320 .224" 50 gr. SMP**  
C.O.A.L. 2.100"



**#1330 .224" 50 gr. SPT**  
C.O.A.L. 2.125"



**#1340 .224" 50 gr. Blitz**  
C.O.A.L. 2.125"



**#1450 .224" 50 gr. BlitzKing**  
C.O.A.L. 2.125"



Powder↓/Velocity→	2800	2900	3000	3100	3200	3300
Viht N130	19.0	20.0	21.0			
IMR-4198	18.5	19.0	19.5	20.0	20.5	
Viht N133	19.8	20.7	21.7	22.6		
XMR-2015	21.0	21.6	22.2	22.8	23.5	
RE-7	18.7	19.2	19.7	20.3	20.9	21.5
IMR-3031	21.7	22.3	22.9	23.5		
AA-2230		22.4	23.0	23.6	24.2	
748	23.4	24.1	24.9	25.6	26.4	27.1
BL-C(2)	22.5	23.3	24.2	25.1	26.0	
IMR-4895	22.5	23.3	24.1	25.0		
AA-2520		22.9	23.7	24.4	25.1	
IMR-4320	23.4	24.2	25.1	26.0		
<b>Energy/ft.lbs.</b>	<b>870</b>	<b>934</b>	<b>999</b>	<b>1067</b>	<b>1137</b>	<b>1209</b>

	Powder	Grains	Velocity	Ft. lbs.
Accuracy Load	BL-C(2)	25.1	3100	1067
Hunting Load	RE-7	21.5	3300	1209

**INDICATES MAXIMUM LOAD – USE CAUTION**  
**LOADS LESS THAN MINIMUM CHARGES SHOWN ARE NOT RECOMMENDED.**

## 222 Remington continued

**#1410 .224" 52 gr. HPBT MatchKing**  
C.O.A.L. 2.125"



**#1400 .224" 53 gr. HP MatchKing**  
C.O.A.L. 2.125"



Powder↓/Velocity→	2700	2800	2900	3000	3100	3200
Viht N130	18.5	19.2	19.8	20.5		
IMR-4198	18.3	18.8	19.3	19.8	20.4	
Viht N133		20.5	21.2	21.8	22.5	
XMR-2015	20.5	21.1	21.7	22.3	23.0	23.6
RE-7	18.9	19.4	19.9	20.4	20.9	21.4
IMR-3031	20.9	21.7	22.5	23.3		
AA-2230		21.4	22.1	22.8	23.6	
748		22.8	23.8	24.8	25.8	26.8
AA-2460	21.1	21.9	22.6	23.4		
H335	22.5	23.3	24.1			
BL-C(2)	22.8	23.4	24.0	24.6	25.3	
IMR-4895	21.7	22.6	23.6	24.6		
AA-2520			23.0	23.7	24.5	
IMR-4320	23.3	23.9	24.6	25.3	26.0	
<b>Energy/ft.lbs.</b>	<b>858</b>	<b>922</b>	<b>990</b>	<b>1059</b>	<b>1131</b>	<b>1205</b>

	Powder	Grains	Velocity	Ft. lbs.
Accuracy Load	IMR-4895	24.6	3000	1059

*Sierra does not recommend MatchKing bullets for hunting applications.*

**INDICATES MAXIMUM LOAD – USE CAUTION**

**LOADS LESS THAN MINIMUM CHARGES SHOWN ARE NOT RECOMMENDED.**

# 222 Remington continued

**#1345 .224" 55 gr. Blitz**  
C.O.A.L. 2.125"



**#1350 .224" 55 gr. SMP**  
C.O.A.L. 2.100"



**#1355 .224" 55 gr. FMJBT**  
C.O.A.L. 2.125"



**#1360 .224" 55 gr. SPT**  
C.O.A.L. 2.125"



**#1365 .224" 55 gr. SBT**  
C.O.A.L. 2.125"



**#1390 .224" 55 gr. HBPT**  
C.O.A.L. 2.100"



**#1455 .224" 55 gr. BlitzKing**  
C.O.A.L. 2.125"<sup>\*\*</sup>requires 1 x 12" twist



Powder+/ <small>Velocity</small> →	2600	2700	2800	2900	3000	3100
Viht N130	17.9	18.6	19.2	19.9	20.5	
IMR-4198	17.5	18.0	18.5	19.0	19.5	
Viht N133	19.2	19.9	20.6	21.3	22.0	
XMR-2015	19.7	20.5	21.3	22.0	22.8	
RE-7		18.0	18.6	19.2	19.9	20.6
IMR-3031	20.6	21.2	21.8	22.4	23.0	
AA-2230		20.7	21.5	22.3	23.0	
748				23.9	24.7	25.5
AA-2460		21.0	21.7	22.5	23.3	
H335	22.0	22.8	23.6	24.4		
BL-C(2)	21.5	22.2	22.9	23.6	24.4	
IMR-4895	21.0	21.8	22.7	23.6	24.5	
AA-2520		21.0	22.0	23.0	24.0	
IMR-4064	21.7	22.4	23.1	23.8		
IMR-4320	22.0	23.0	24.0	25.0	26.0	
<b>Energy/ft.lbs.</b>	<b>825</b>	<b>890</b>	<b>957</b>	<b>1027</b>	<b>1099</b>	<b>1173</b>

	Powder	Grains	Velocity	Ft. lbs.
Accuracy Load	IMR-4895	24.5	3000	1099
Hunting Load	748	25.5	3100	1173

**INDICATES MAXIMUM LOAD – USE CAUTION**  
**LOADS LESS THAN MINIMUM CHARGES SHOWN ARE NOT RECOMMENDED.**

# 222 Remington continued

**#1375 .224" 60 gr. HP**  
C.O.A.L. 2.125"



Powder↓/Velocity→	2500	2600	2700	2800	2900	3000
Viht N130		17.9	18.7	19.6	20.5	
IMR-4198	17.2	17.8	18.4	19.0	19.6	
Viht N133	18.5	19.3	20.1	20.9	21.6	
XMR-2015			19.8	20.5	21.3	22.0
RE-7	16.3	17.1	17.9	18.7	19.5	20.2
IMR-3031	20.0	20.7	21.4	22.1	22.8	23.5
AA-2230		19.4	20.3	21.1	22.0	
748	21.1	22.0	22.9	23.8	24.6	
BL-C(2)	20.5	21.3	22.1	22.9	23.7	
AA-2460		20.4	21.4	22.4		
IMR-4895	20.7	21.6	22.4	23.2	24.0	
IMR-4064	21.3	22.1	22.9	23.7		
IMR-4320	21.9	22.8	23.7	24.5		
<b>Energy/ft.lbs.</b>	<b>833</b>	<b>900</b>	<b>971</b>	<b>1044</b>	<b>1120</b>	<b>1199</b>

	Powder	Grains	Velocity	Ft. lbs.
Accuracy Load	IMR-3031	22.1	2800	1044
Hunting Load	IMR-3031	22.8	2900	1120

**#1370 .224" 63 gr. SMP**  
C.O.A.L. 2.125"



**#1395 .224" 65 gr. SBT**  
C.O.A.L. 2.130"



\*requires 1 x 10" twist or faster

Powder↓/Velocity→	2400	2500	2600	2700	2800	2900
Viht N130		17.8	18.5	19.2	20.0	
IMR-4198	16.6	17.2	17.8	18.4	19.0	
Viht N133		19.2	19.8	20.3	20.9	
XMR-2015		18.9	19.6	20.3	21.0	
RE-7	16.5	17.2	17.9	18.6	19.3	20.0
IMR-3031	19.6	20.2	20.9	21.6	22.3	23.0
AA-2230	18.7	19.6	20.5	21.3		
748		20.8	21.8	22.7	23.6	
BL-C(2)	20.6	21.2	21.9	22.6	23.3	24.0
AA-2460		20.2	20.9	21.7		
IMR-4895	20.3	21.0	21.7	22.5	23.3	24.0
IMR-4064	20.7	21.4	22.1	22.8	23.5	
IMR-4320	21.4	22.1	22.9	23.7	24.5	
<b>Energy/ft.lbs.</b>	<b>806</b>	<b>874</b>	<b>945</b>	<b>1020</b>	<b>1097</b>	<b>1176</b>

	Powder	Grains	Velocity	Ft. lbs.
Accuracy Load	BL-C(2)	23.3	2800	1097
Hunting Load	IMR-4895	24.0	2900	1176

**INDICATES MAXIMUM LOAD – USE CAUTION**

**LOADS LESS THAN MINIMUM CHARGES SHOWN ARE NOT RECOMMENDED.**